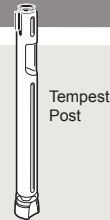


# Tempest Post with Recycled Rubber Base

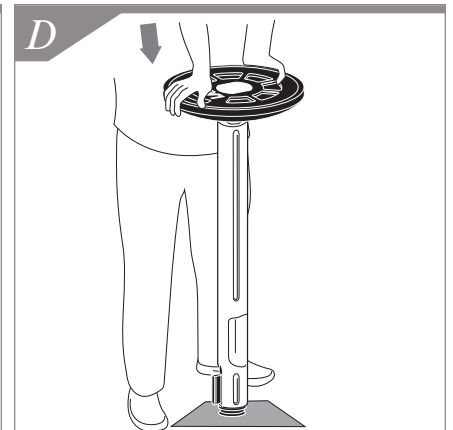
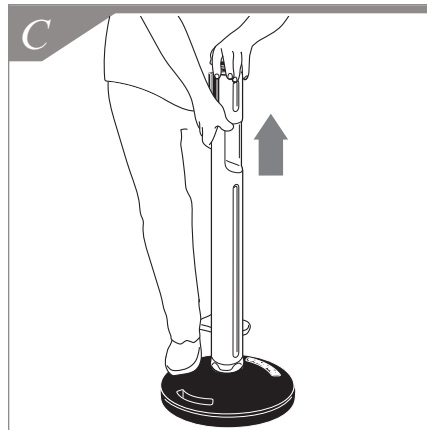
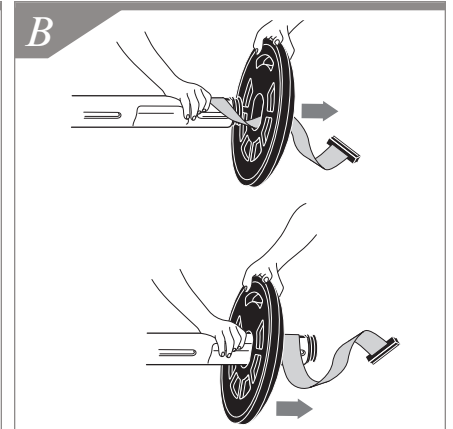
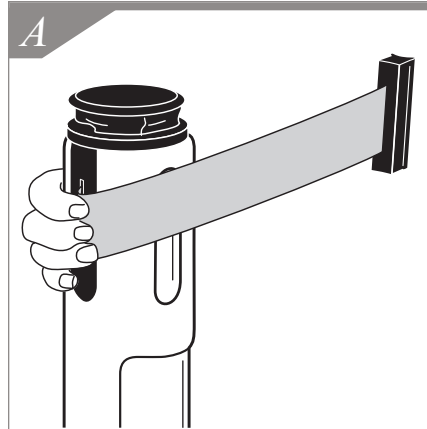
## Parts List:



### PLEASE READ AND UNDERSTAND INSTRUCTIONS THOROUGHLY BEFORE ASSEMBLY

#### Assembly:

1. Pull 1–2 feet of belt out of the mechanism and pinch against post to stop from retracting. (Illustration A)
2. Prop base on its side and pass belt-end through center of base from the bottom, then push post through. Align post so belt is facing away from handle of base. (Illustration B)
3. Stand post upright on the base.
4. Step on base and tug upward on the post—you will feel a positive "snap" as it locks in place. (Illustration C)



#### Disassembly:

1. Turn post upside down so it's resting on the cap. Place on soft surface in order to protect the finish.
2. Press down firmly on the LAVI logo to release post from base and rock gently SUPPORT WEIGHT OF BASE. (Illustration D)
3. CAREFULLY lower base down post, stopping before the belt, then place on its side.
4. Pull 1–2 feet of belt from mechanism and pinch against post to stop from retracting. (Illustration E)
5. Pull post through the bottom of the base being careful not to trap the belt. (Illustration F)

